



FITS - The File Information Tool Set

File Characterization and Metadata Extraction

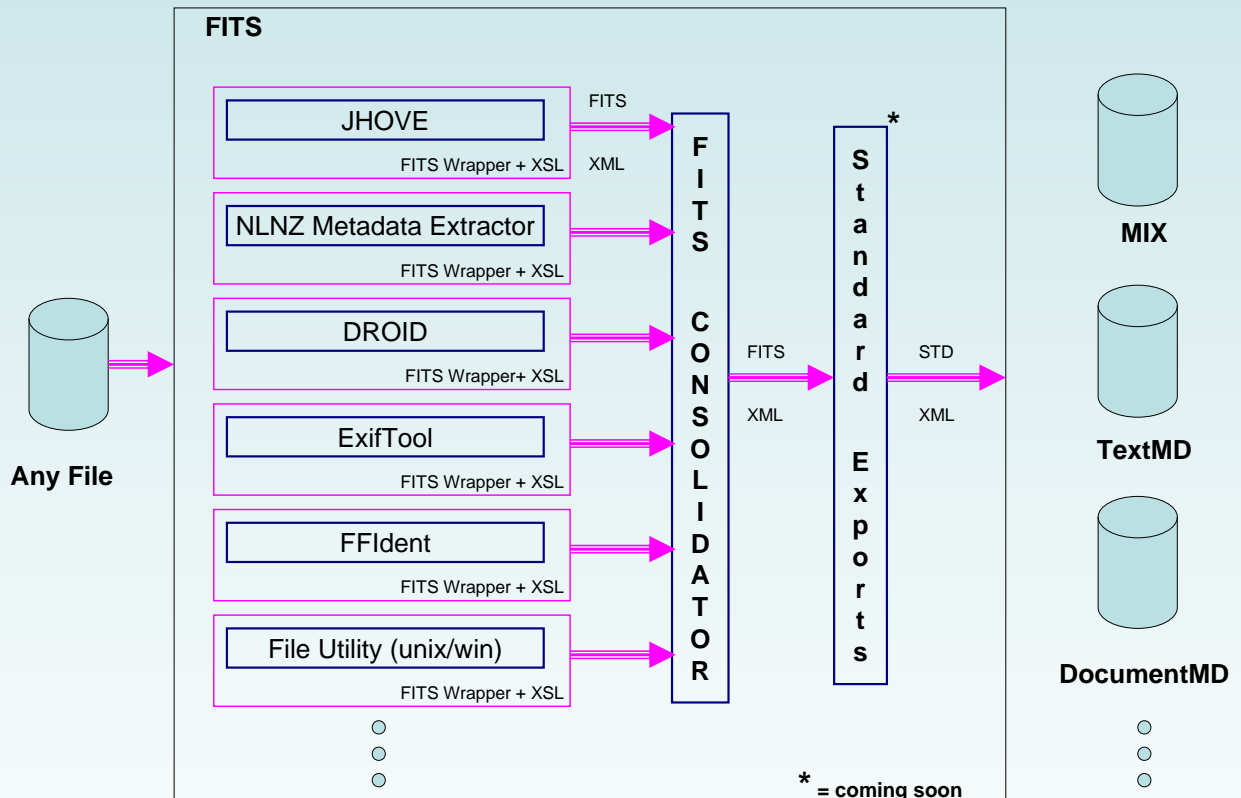
Why:

- Digital preservation requires the best possible technical metadata for files so that preservation monitoring can be performed and actions taken
- Automated format identification and metadata extraction reduces the amount of metadata that must be created manually and takes full advantage of the metadata embedded within files
- No single file analysis tool is best for all file types and metadata extraction tasks

What:

- An open source Java toolkit
- A wrapper for any file tool that can run on your host
- Produces canonical FITS-XML
- Includes Java crosswalks to MIX, TextMD, DocumentMD, and will soon include Audio
- Is extensible

How:



Features:

- Conflict management (configuration, prioritization, error handling if a tool fails)
- Value normalization (e.g. "inches" vs "2")
- Tool order preference
- Format specific tool exclusion
- Format tree for matching more specific format identities

More info:

FITS is part of the second generation **Harvard University Library Digital Repository Service** (DRS2), which supports content models and METS/PREMIS object descriptors. An overview of DRS2 can be found at <http://hul.harvard.edu/ois/systems/drs/enhancements.html>

For more information on FITS, see <http://code.google.com/p/FITS>, or contact Spencer McEwen at spencer_mcewen@harvard.edu. FITS currently integrates with the following tools:

- JHOVE - <http://hul.harvard.edu/jhove/>
- National Library of New Zealand Metadata Extractor - <http://meta-extractor.sourceforge.net/>
- DROID - <http://droid.sourceforge.net/wiki/index.php/Introduction>
- ExifTool - <http://www.sno.phy.queensu.ca/~phil/exiftool/>
- FFIdent - <http://www.devlib.org/ffident/index.html>
- File Utility - <http://unixhelp.ed.ac.uk/CGI/man-cgi?file>

DRS2 Object Descriptor

